

### INSTRUCTIONS PERTAINING TO RISK OF FIRE, OR INJURY TO PERSONS

#### WARNING! To reduce the risk of FIRE OR INJURY TO PERSONS

1. Do not touch luminaire while lamp is on. Turn off/unplug and allow to cool before replacing lamp.
2. Lamp gets HOT quickly! Contact only switch/plug when turning on.
3. Do not touch hot lens, faceplate, body, or cap.
4. Keep lamp away from materials that may burn.
5. Do not touch lamp at any time. Use a soft cloth. Oil from your skin may damage lamp.
6. Do not operate the luminaire with damaged or missing parts.
7. Do not disassemble lamp housing beyond cap removal to facilitate lamp replacement
8. Remove any debris accumulated on the faceplate, in the housing, or in the body fins when necessary.
9. Do not install luminaire within 10 feet of a pool, spa, or fountain.
10. Have fixture installed in accordance with all applicable installation codes and standards by a person familiar with the construction and operation of the fixture and the hazards involved.
11. Use only cable rated for low voltage. Cable buried more than 6" must be suitable for direct burial.
12. Use only lamps rated for this fixture. 12 volt 35 watt maximum MR16

### SAVE THESE INSTRUCTIONS

#### INSTALLATION

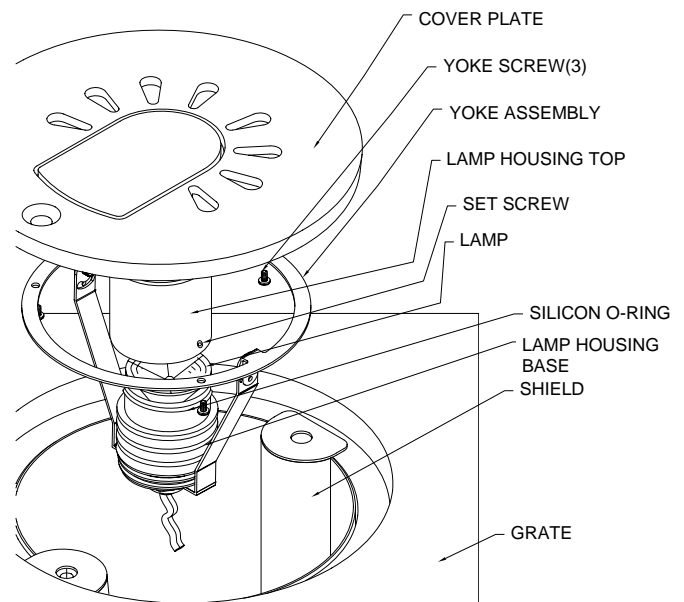
1. If preinstalled, remove light well cover from tree grate.
2. With tree grate installed, excavate under light opening to the depth of the Shield ( About 7" below grade) enough to allow shield to drop fully into grate.
3. In poor draining soils, excavate an additional 3" below bottom of shield and fill space to bottom of shield with gravel for drainage.
4. Attach lamp housing and Yoke Assembly to the Cover Plate with the three screws provided
5. feed Supply Cable through Shield.
6. Drop Shield into tree grate opening insuring it seats fully on lip.
7. Connect Supply Cable to 16-2 Cable on fixture. Allow enough cable length to permit complete removal of Assembly from Light well for re-lamping.  
Ensure power being supplied is appropriate to fixture.
8. Insert Cover Plate with Lamp Assembly into Light well and secure with screw.

#### AIMING OF FIXTURE

1. Caution! Fixture will be hot if lamp is on.
2. Remove Cover plate screw and lift assembly out of tree grate.
3. Loosen Vertical Aiming Screws
4. Adjust Yoke as desired
5. Tighten Screws
6. Replace Assembly in Light well opening.

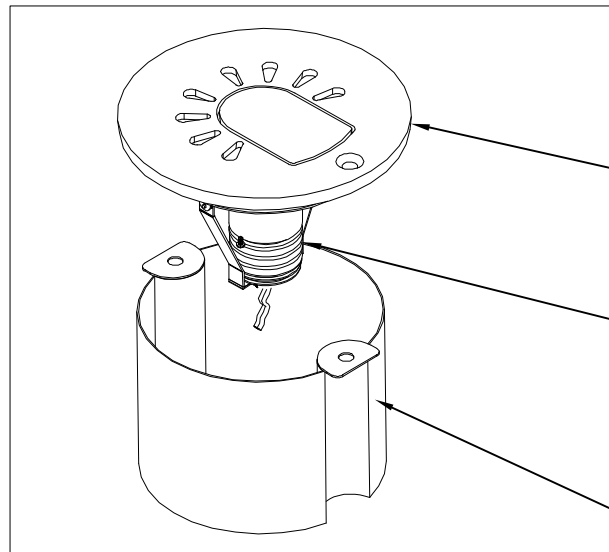
#### RE-LAMPING

1. Remove power from fixture and let cool before touching.
2. Remove Cover Plate with attached assembly from tree grate.
3. Separate Yoke Assembly from Cover Plate by removing three screws.
4. Loosen Set Screw on lamp housing. Do NOT remove set screw!
5. Remove Lamp Housing Top by slowly twisting and pulling to reduce risk of damage to O-Ring.
6. Pull lamp straight out. Caution! Lamp may still be hot! Be sure lamp has cooled before touching.
7. Push new lamp straight in. Be sure pins are properly aligned. Be sure correct Lamp wattage is used. See inside lamp housing for Lamp ratings.
8. Install Lamp Housing Top by slowly twisting and pushing. Due to tight O-Ring seal you will notice resistance as air pressure builds up.
9. Seat Top fully and tighten set screw until it just bottoms out. Do NOT over tighten set screw! Distortion of the housing can allow moisture in causing fixture failure.
10. Remount Yoke to Cover and Reinstall in tree grate.



Cover design will vary depending on tree grate selected

TGL Series  
Low Voltage Tree grate  
Up Light



Cover screws to  
tree grate

Lightwell Cover  
with Glass Lens

Bracket screws to  
underside of cover

Lamp Housing

Aiming bracket  
Adjust angle  
as desired

Outer Shield

Drops into Lightwell Opening

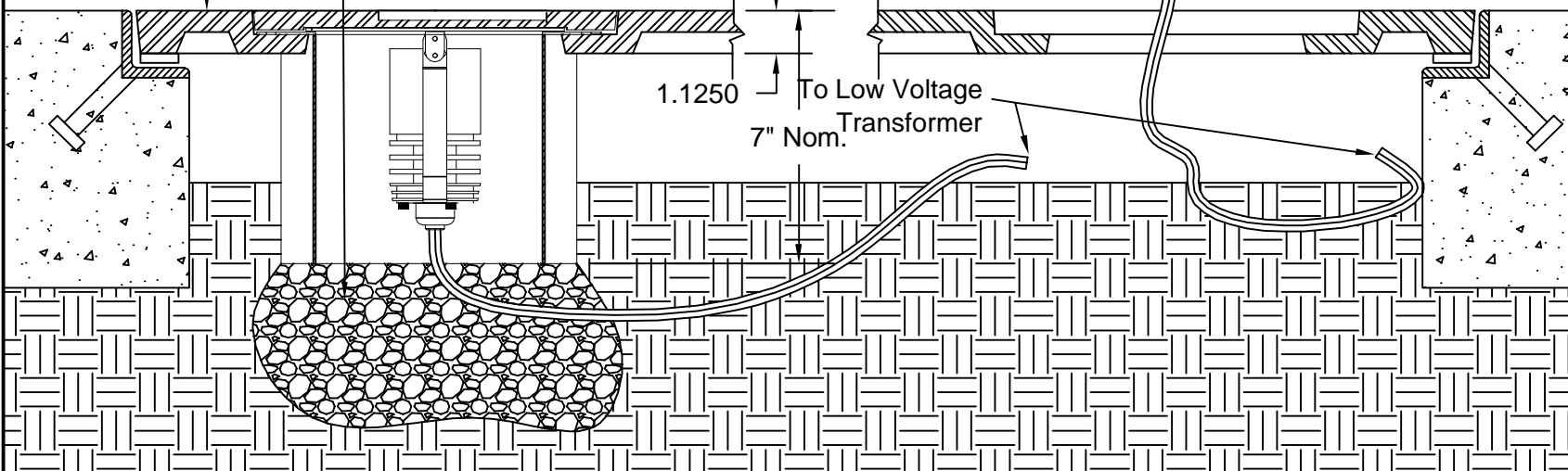
Power cord

Leave enough slack  
in cord to allow removal  
of fixture for relamping

1.1250  
To Low Voltage  
Transformer  
7" Nom.

Gravel to promote drainage  
in poor draining soils

Tree Grate



Cover is shipped  
installed in tree grate

Lamp Assembly with  
housing bracket and  
shield are shipped  
separately.

Use 12 volt 35Watt  
Max MR16 lamp.  
(supplied with lamp of  
choice)

Outer shield must be  
used to keep earth  
away from Lamp  
Housing and prevent  
overheating.

If Shield is to be  
partially burried place a  
bed of gravel at the  
shield base sufficient to  
keep the light well clear  
of standing water and  
to help minimize  
intrusion of dirt.

Connect fixtures to  
appropriate 12 volt  
transformer of your  
choice. (Not Supplied)

This drawing embodies a confidential proprietary design of IRONSMITH, IN. Palm Desert, Ca. All design, manufacturing, reproduction, use, sale, and other rights regarding the same are expressly reserved. This drawing is submitted under confidential relationship for a specific purpose and the recipient agrees by accepting this drawing not to supply or disclose any information regarding it to any unauthorized person or to incorporate any special feature peculiar to this design in other projects. The information in this drawing may be covered completely or in part by patents pending.

**IRONSMITH**  
41-701 Corporate Way #3  
Palm Desert, CA 92260  
(800) 338-4766  
(760) 776-5080 Fax