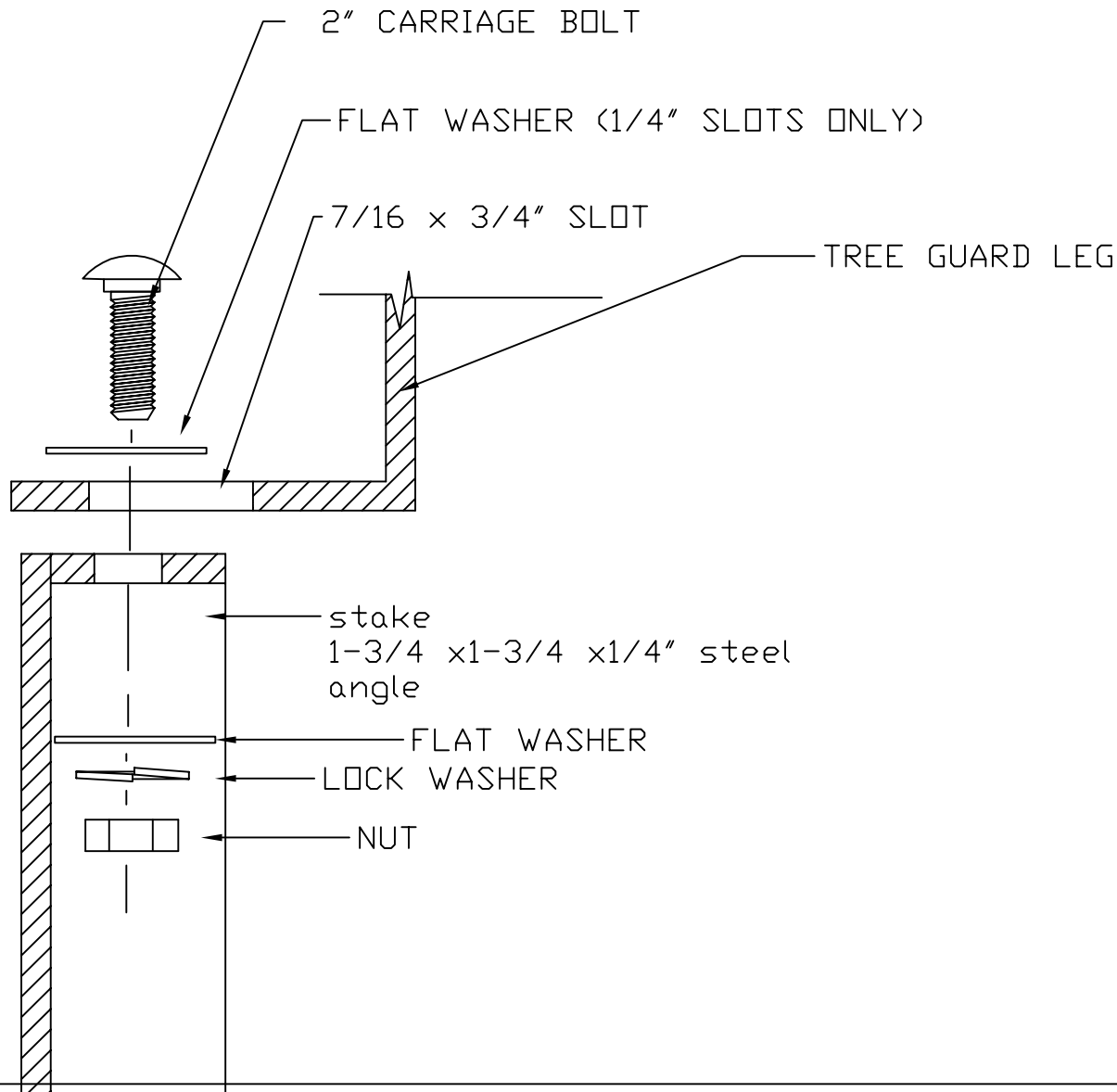


TREE GUARD
STAKE MOUNT



This drawing embodies a confidential proprietary design of IRONSMITH Palm Desert, CA. All design, manufacturing, reproduction, use, sale, and other rights regarding the same are expressly reserved. This drawing is submitted under confidential relationship for a specific purpose and the recipient agrees by accepting this drawing not to supply or disclose any information regarding it to any unauthorized person or to incorporate any special feature peculiar to this design in other projects. The information disclosed in this drawing may be covered completely or in part by patents pending.

IRONSMITH
41-701 Corporate Way #3
Palm Desert, CA 92260
(800) 338-4766
(760) 776-5080 Fax